
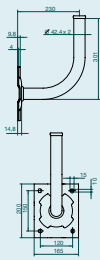
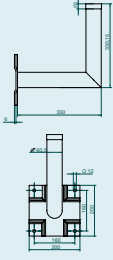


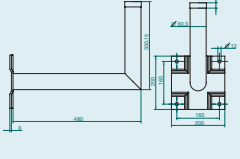
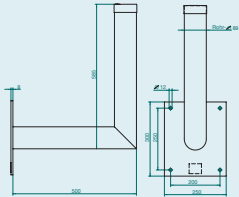
Wall mount, steel

Type	MH 50	MHR 42	MHR 60
Order No.	601 140-100	981 000-059	981 000-062
			
Product Data			
Mast diameter	27 -60 mm	42.4 mm	60 mm
Pipe thickness		2.3 mm	3.65 mm
Distance from wall	225 mm	163 mm	223 mm
Drilling hole diameter		10 mm	12 mm
Weight	2.45 kg	2 kg	5.4 kg
Special property		For small parabolic antennas	
Used for		Hit FESAT 65/75	Hit FESAT 75/85

- For fastening parabolic antennas to outside walls
- Hot-dip galvanized
- Sealed with plastic plug

MH 50

- For fastening antenna stands to outside walls
- Only use masonry screws for wall fastening, do not use plastic plugs

Type	MHR 61	MHR 89
Order No.	981 000-063	981 000-064
		
Product Data		
Mast diameter	60 mm	89 mm
Pipe thickness	3.65 mm	3.2 mm
Distance from wall	428 mm	413 mm
Drilling hole diameter	12 mm	14 mm
Weight	6.3 kg	12.7 kg
Special property	Greater distance to wall for 90° assembly and 180° antenna swivel angle	
Used for	Hit FESAT 65/75	FESAT 95 K, FESAT 120 K

- For fastening parabolic antennas to outside walls
- Hot-dip galvanized
- Sealed with plastic plug

MHR 61

- MHR 61 at greater distance to wall